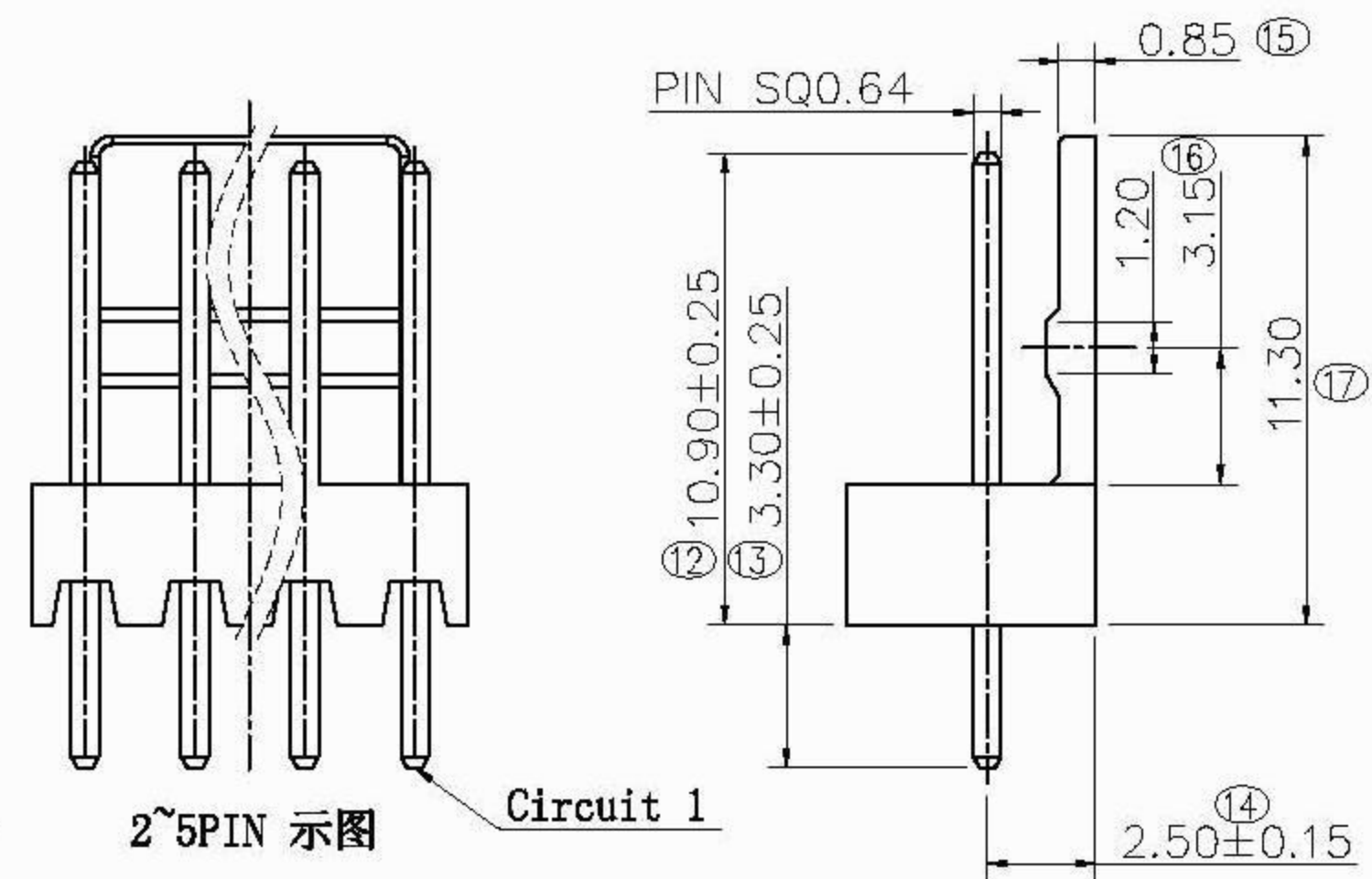
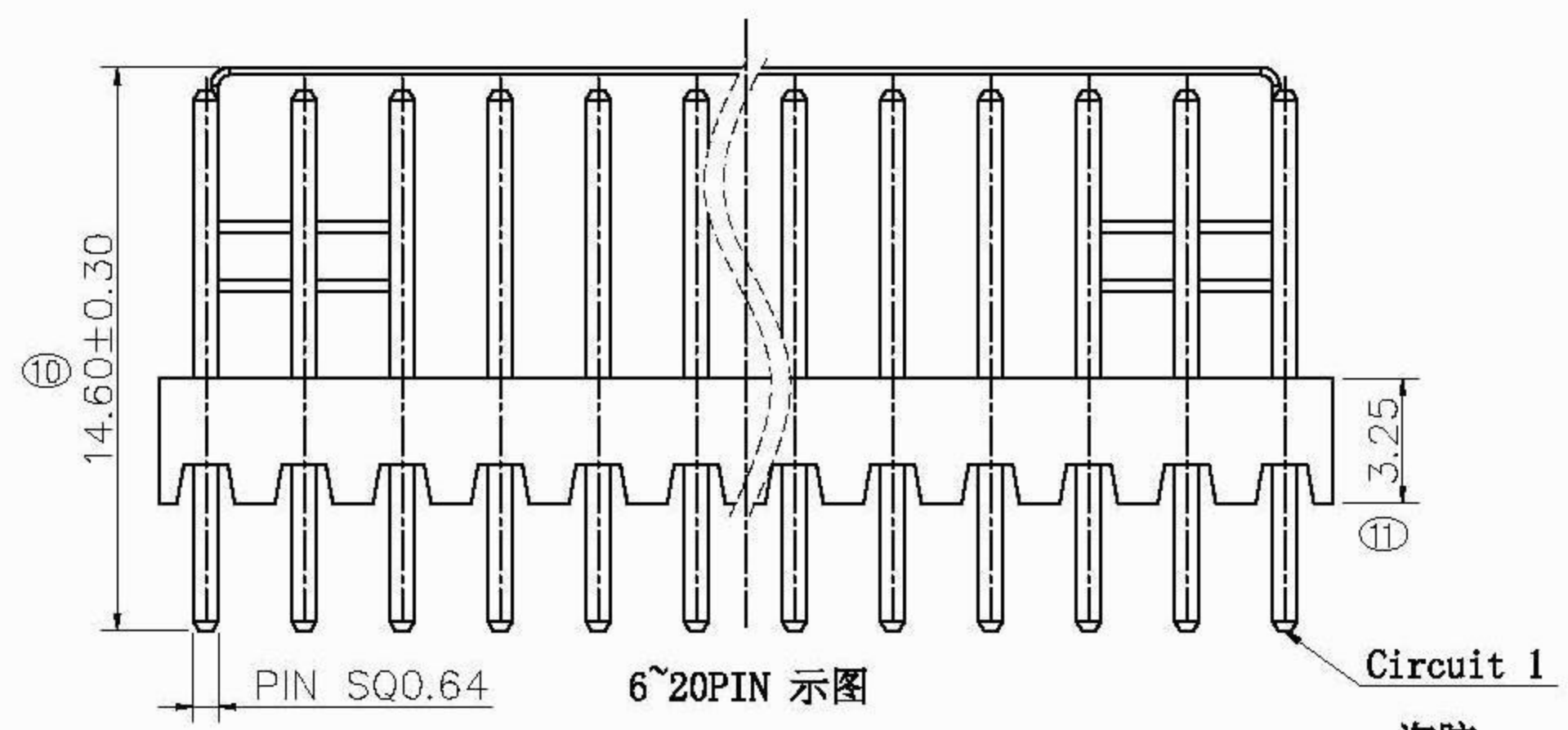
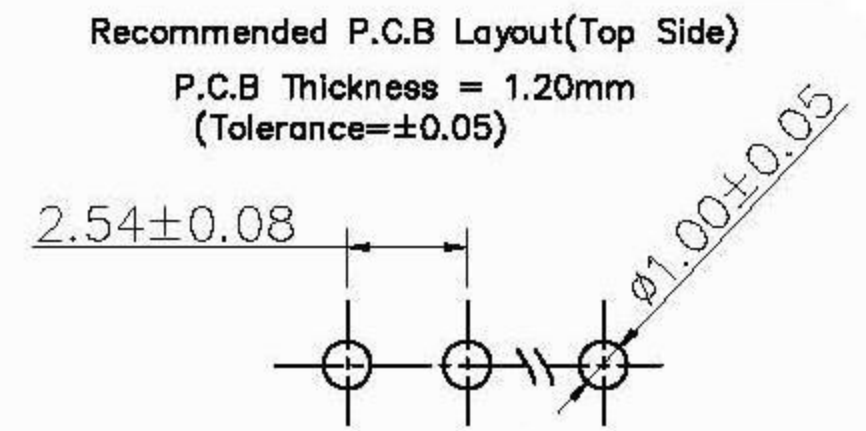
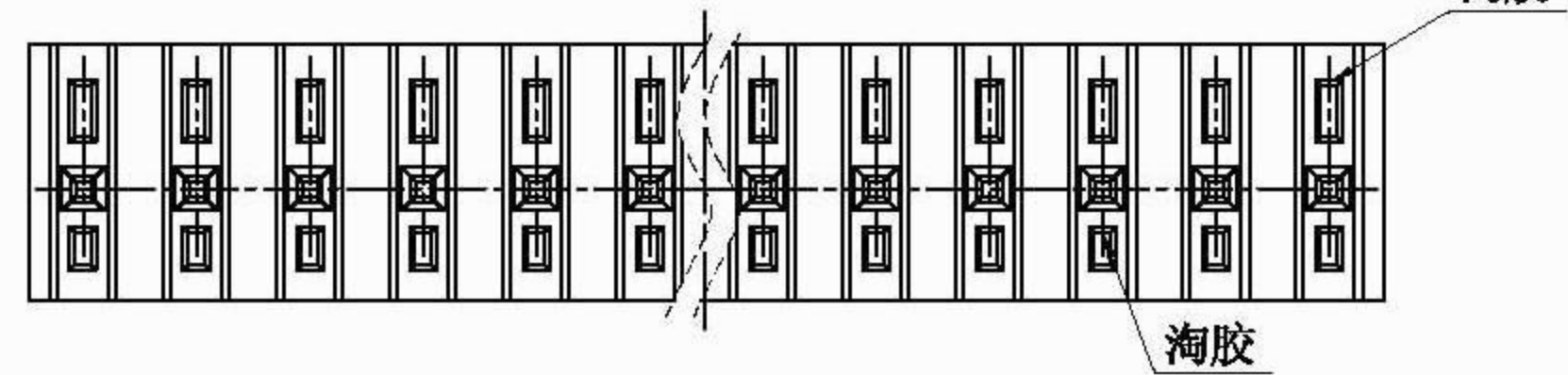


NOTES:
 CURRENT RATING: 4A AC/DC.
 VOLTAGE RATING: 250V AC/DC.
 TEMPERATURE RANGE: -25° C~+85° C.
 CONTACT RESISTANCE: 10mΩ MAX.
 INSULATION RESISTANCE: 1000MΩ MIN.
 WITHSTANDING VOLTAGE: 1000V AC/MINUTE.



PART NO.	Dimensions	
	A	B
WF2540S02	4.98	2.54
WF2540S03	7.52	5.08
WF2540S04	10.06	7.62
WF2540S05	12.60	10.16
WF2540S06	15.14	12.70
WF2540S07	17.68	15.24
WF2540S08	20.22	17.78
WF2540S09	22.76	20.32
WF2540S10	25.30	22.86
WF2540S11	27.84	25.40
WF2540S12	30.38	27.94
WF2540S13	32.92	30.48
WF2540S14	35.46	33.02
WF2540S15	38.00	35.56
WF2540S16	40.54	38.10
WF2540S17	43.08	40.64
WF2540S18	45.62	43.18
WF2540S19	48.16	45.72
WF2540S20	50.70	48.26



GXCON ENTERPRISE CO., LTD

DRAW NO.	DATE	P/N NO:	DRAW NAME:
DESIGN:		WF2540SXX	MX 2.54 180° Wafer
CHECK:		REV. G	SCALE 1:1
REVIEW:		UNIT: mm	SHEET: 1 OF 1

DIM	TOL	DIM	TOL
X.	/	X'	/
X.X	±0.25	X.X'	±2'
X.XX	±0.20	X.XX'	±1'
X.XXX	±0.10	X.XXX'	/